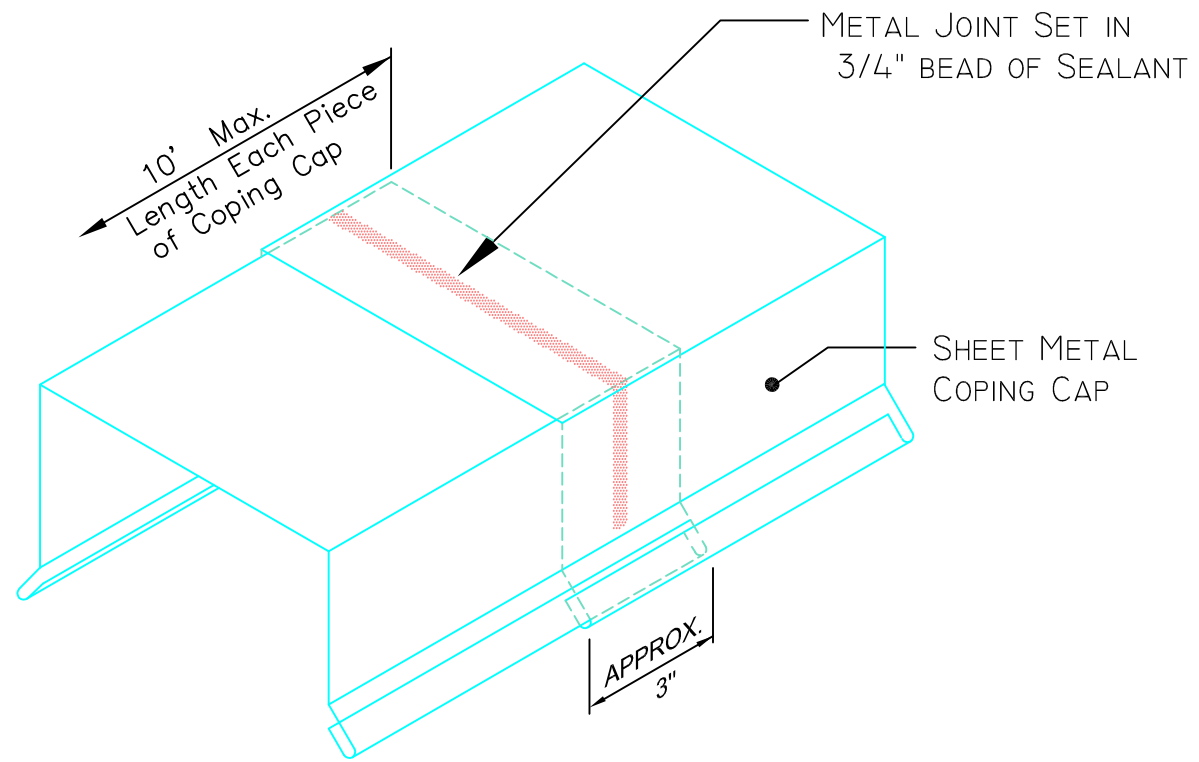


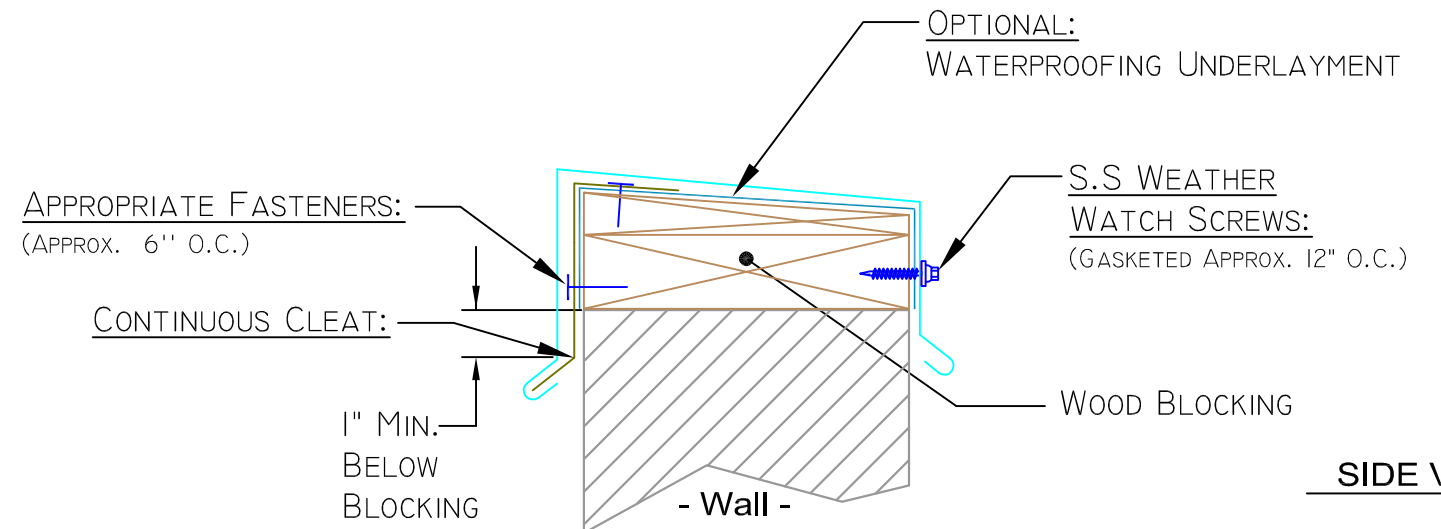
Coping Cap with Overlap



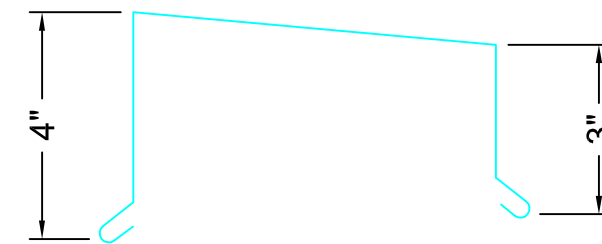
NOTES:

A. CONTINUOUS CLEAT NOT SHOWN FOR SAKE OF CLARITY.

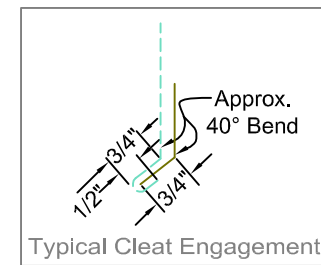
Coping Cap Securement Options



CONTINUOUS CLEAT AND GASKETED FASTENERS



DIMENSIONS PER ARCHITECTURAL PLANS

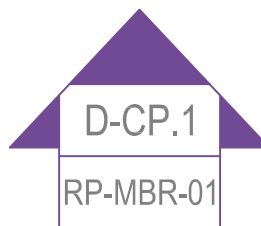


Clarifications:

1. COPING CAP MATERIAL = UNA-CLAD .040 KYNAR: STONE WHITE.
2. SEALANT = DOW CORNING 795 OR EQUIVALENT
3. PROFILE AND SIZE OF COPING CAPS MAY VARY PER LOCATION ON PROJECT.

REFERENCE NOTE:

FIGURES ARE BASED UPON NRCA & SMACNA SPECIFICATIONS TO CONFORM TO PERFORMANCE PARAMETERS OF THE PROJECT



1407 3rd Avenue North, Nashville, TN 37208
 TEL: 615-242-3501 FAX: 615-256-4056
RD HERBERT & SONS
 ROOFING & SHEET METAL
 www.rdherbert.com

Title: Coping Lap & Securement Details
Project: VU-Stadium Renovation
Location: Nashville, TN G.C.: The Parent Co.

Revision Notes

DRAWN BY: JLK	JOB #: 08-0047	DETAIL#: D-CP.1
APPROVED: DK	SCALE: N.T.S.	SERIES: MS
DATE: 5/23/08	ISSUED FOR: APPROVAL	REVISION: 00